
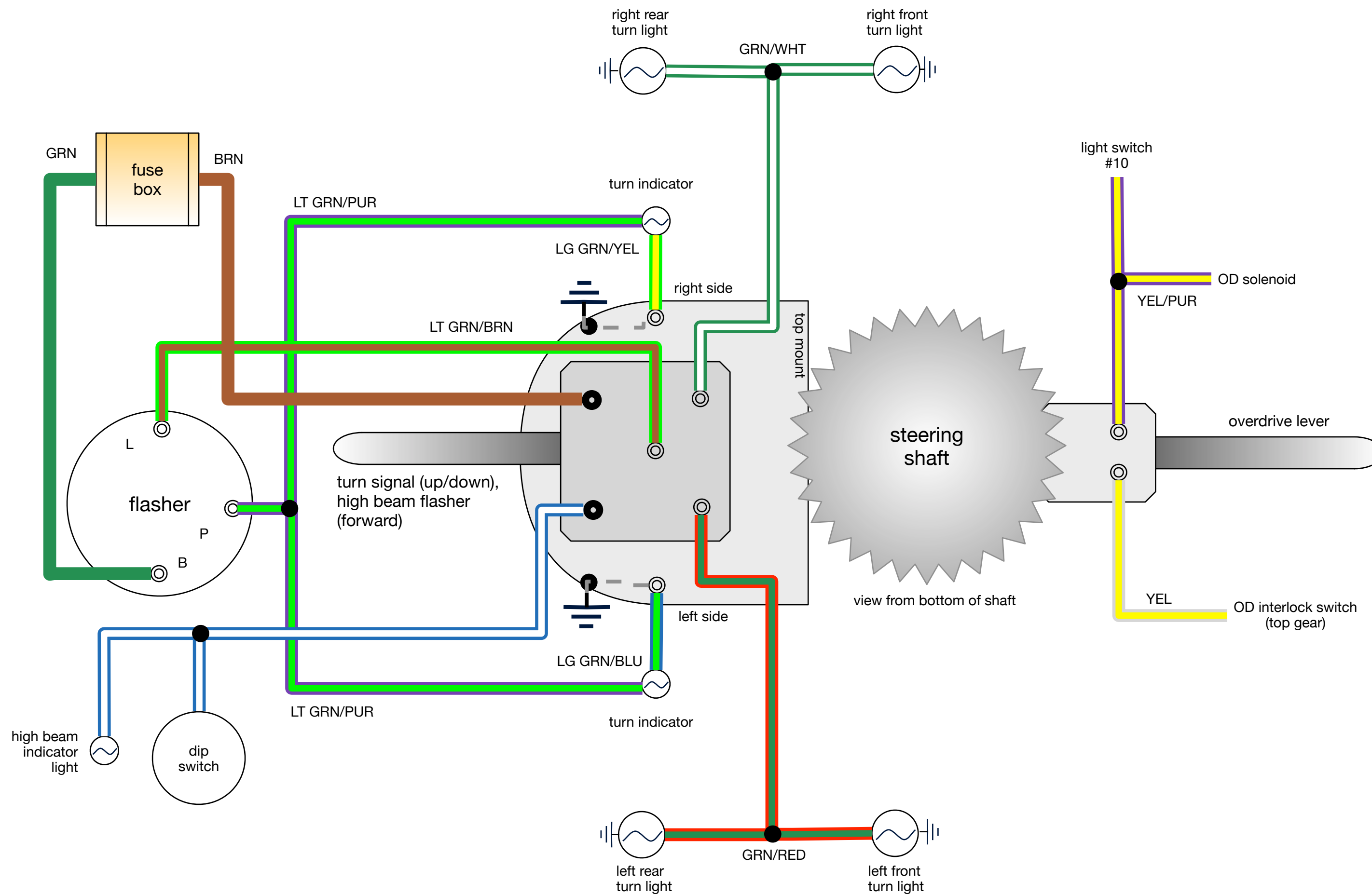
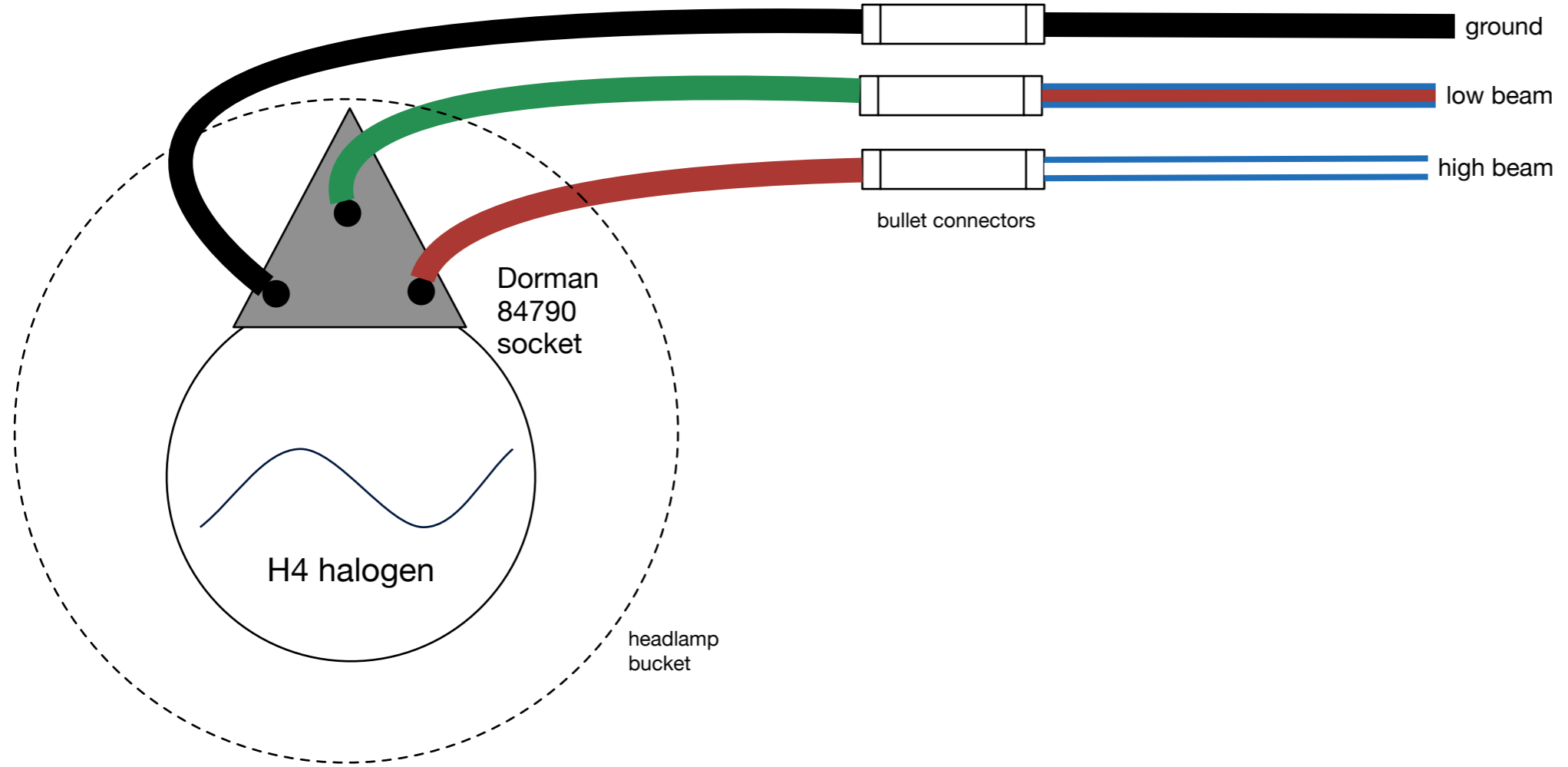
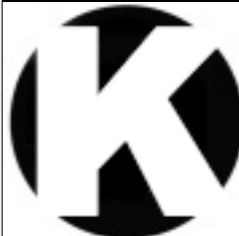


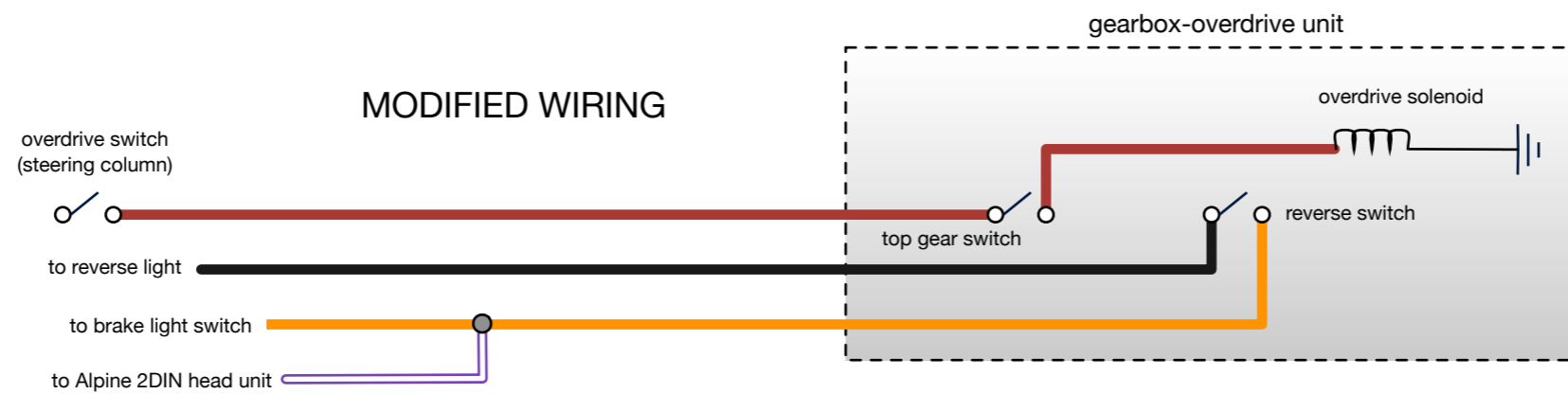
| | | |
|---|--|------------------|
|  | Kris Motors Corporation 8345 NW 66th Street #8268 Miami, Florida 33166 KrissMotors.com | |
| | TITLE STEERING COLUMN Revised | DATE 06/03/15 |



| | |
|---|---|
|  | Kriss Motors Corporation 8345 NW 66th Street #8268 Miami, Florida 33166 KrissMotors.com |
| | TITLE STEERING COLUMN Jaguar OEM DATE 06/03/15 |



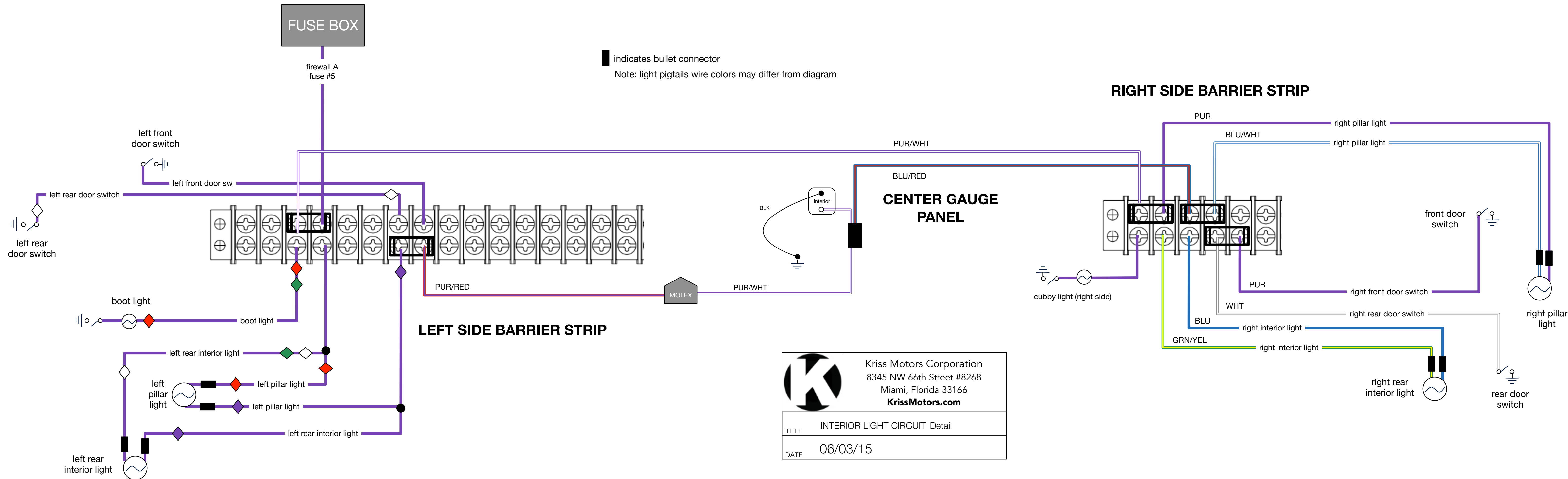
| | | |
|---|---|---------------------|
|  | Kris Motors Corporation 8345 NW 66th Street #8268 Miami, Florida 33166 KrisMotors.com | |
| | TITLE | PIGTAILS Headlights |
| DATE | 06/03/15 | |




Kriss Motors Corporation
8345 NW 66th Street #8268
Miami, Florida 33166
KrissMotors.com

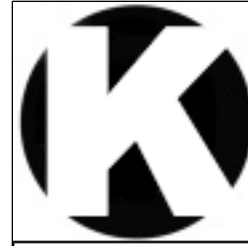
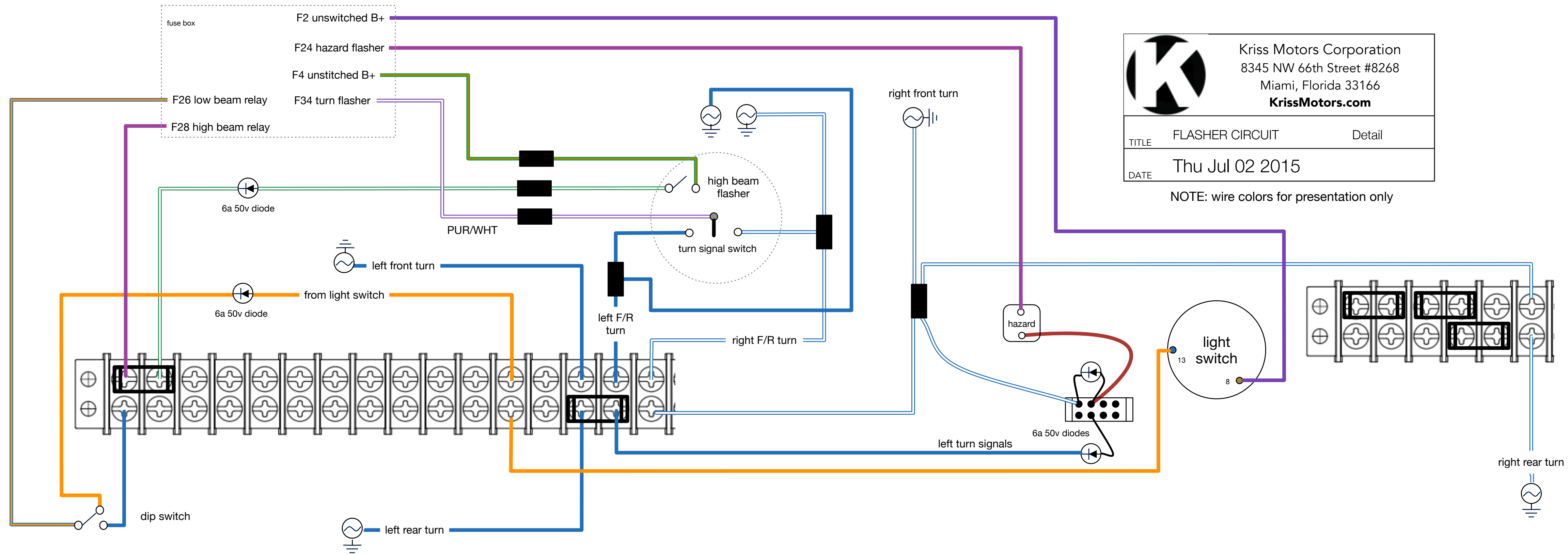
TITLE PIGTAILS Gearbox

DATE 07/12/15



■ indicates bullet connector
 Note: light pigtails wire colors may differ from diagram

| | |
|---|---|
|  | Kriss Motors Corporation 8345 NW 66th Street #8268 Miami, Florida 33166 KrissMotors.com |
| | TITLE INTERIOR LIGHT CIRCUIT Detail DATE 06/03/15 |

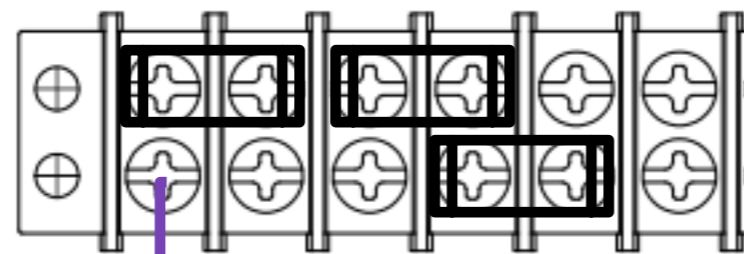



Kriss Motors Corporation
 8345 NW 66th Street #8268
 Miami, Florida 33166
KrissMotors.com

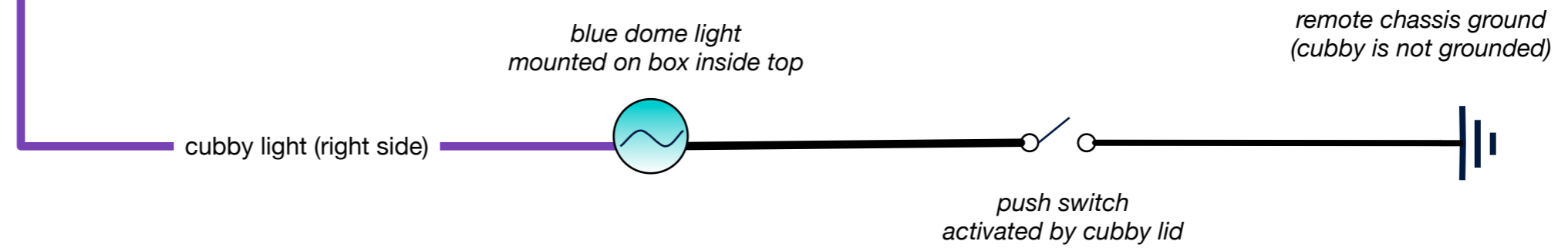
| | | |
|-------|-----------------|--------|
| TITLE | FLASHER CIRCUIT | Detail |
| DATE | Thu Jul 02 2015 | |

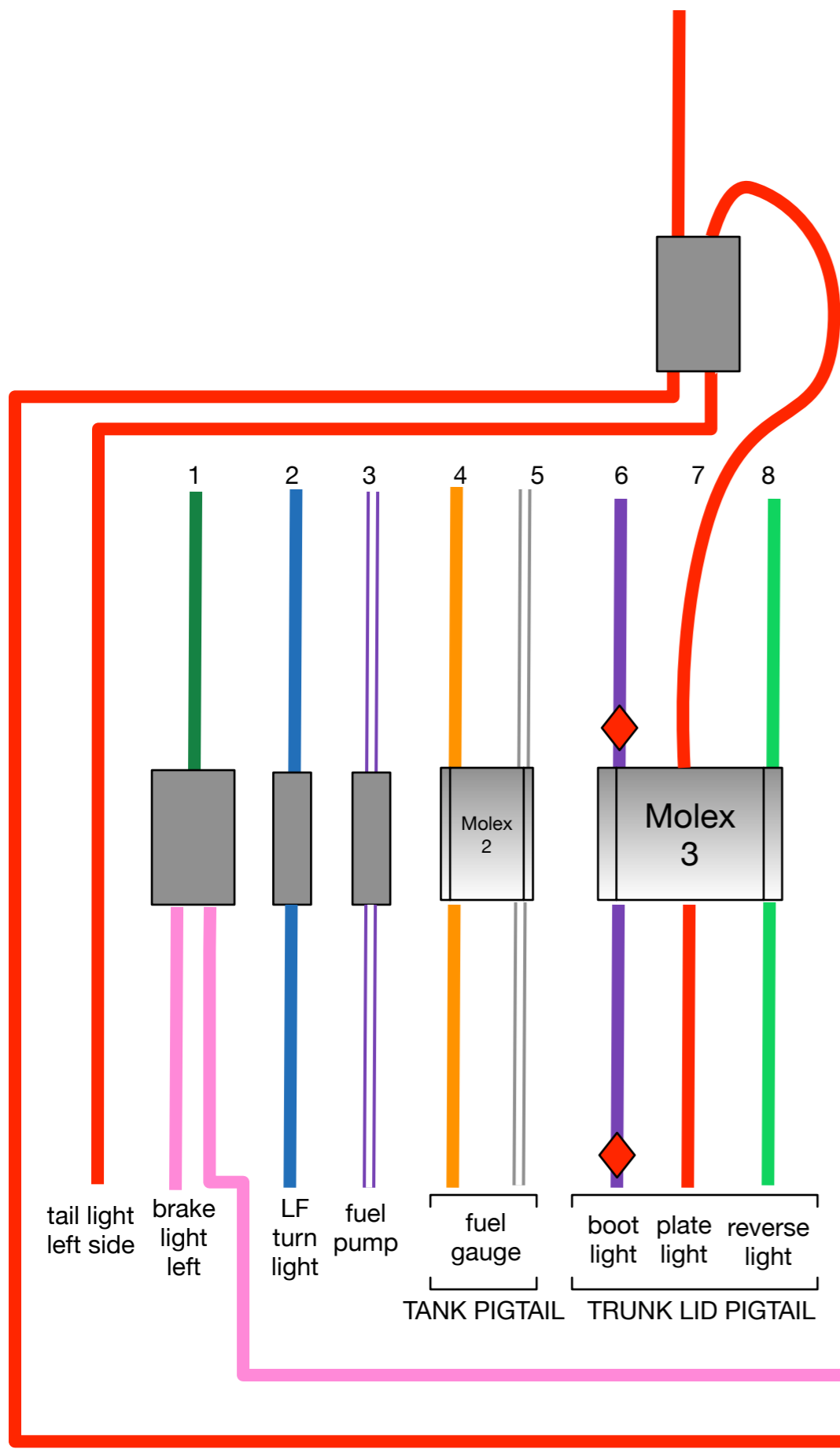
NOTE: wire colors for presentation only

RIGHT SIDE BARRIER STRIP



| | | |
|---|---|------------------------|
|  | Kriss Motors Corporation 8345 NW 66th Street #8268 Miami, Florida 33166 KrissMotors.com | |
| TITLE | PIGTAILS | Cubby light and switch |
| DATE | 05/02/16 | |






BOOT CONNECTIONS

13 wires enter left rocker panel with 8 wires passing into boot

1. OLIVE GRN to PINK: brake lights, left/right
2. BLU: left rear turn signal
3. WHT/PUR: fuel pump
4. ORG: fuel gauge 12v warning light "W" terminal
5. WHT: fuel gauge 10v tank resistance "T" terminal
6. PUR (RED tip marked): boot light
7. RED: license plate light
8. GRN: reverse light

Other RED: tail lights, left and right

| | | |
|---|---|--|
|  | Kriss Motors Corporation 8345 NW 66th Street #8268 Miami, Florida 33166 KrissMotors.com | |
| | TITLE DATE | BOOT CONNECTIONS Molex, others 08/30/15 |