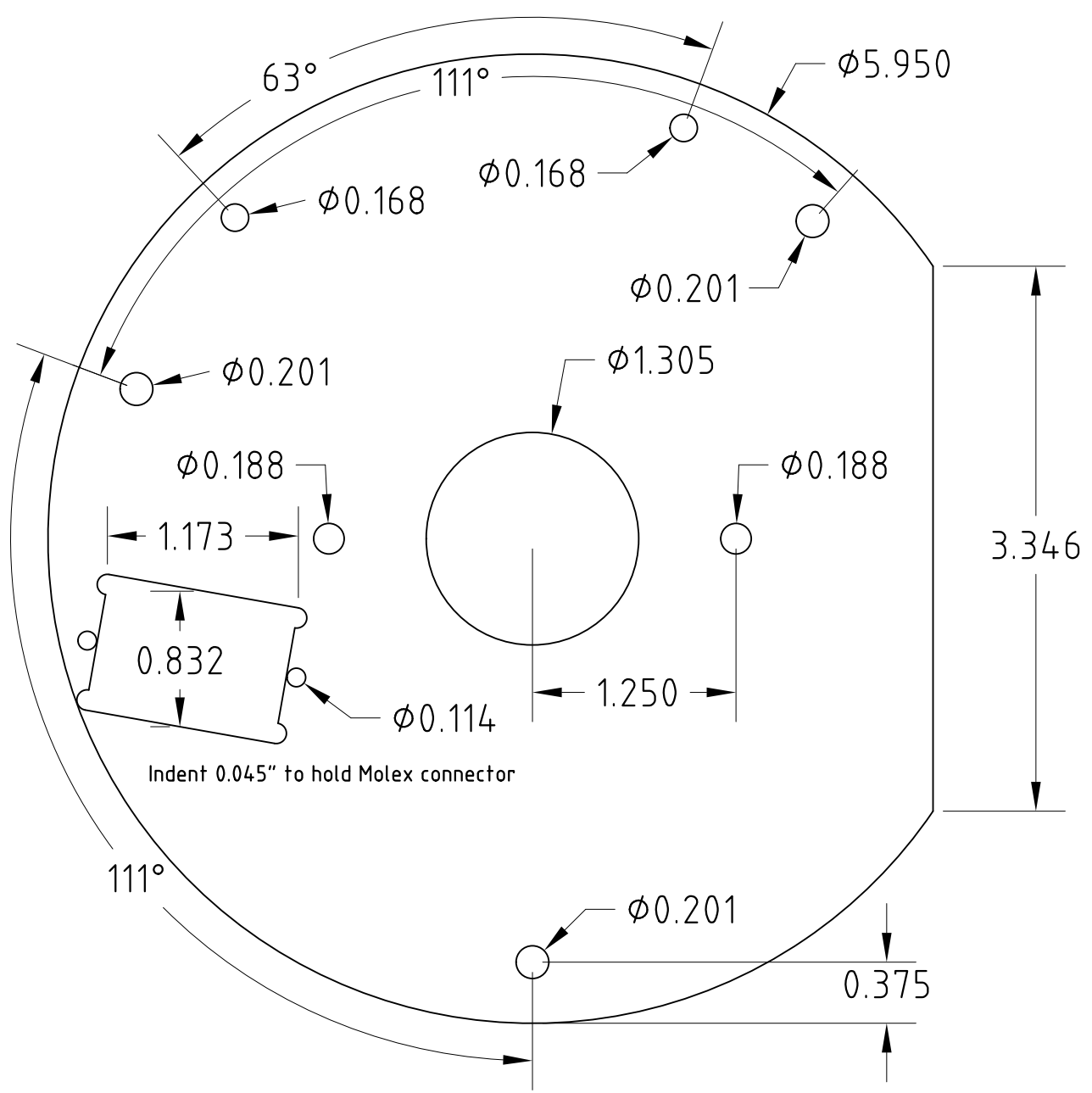


2

1



Indent 0.045" to hold Molex connector

DO NOT SCALE DRAWING
 BREAK ALL SHARP EDGES
 AND REMOVE BURRS

Motor plate, heater	
TITLE $\frac{1}{4}$ " aluminum plate	
SIZE A	DWG NO. 08-25-2015

2

1

B

B

A

A